

DS-2CE56D8T-IT3ZE 2 MP Ultra-Low Light VF PoC Turret Camera



- 2 MP high performance turret camera
- Strong night performance, capturing images in ultra-low light down to 0.003 lux
- Clear imaging even against strong back lighting due to 130 dB true WDR technology
- 3D DNR technology delivers clean and sharp images
- Lens focuses automatically when zooming in or out
- EXIR 2.0: advanced infrared technology with 60 m IR distance
- Water and dust resistant (IP67)
- Transmits both HD video and power over the same coaxial cable

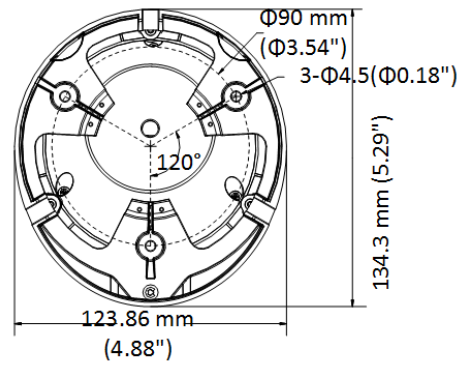
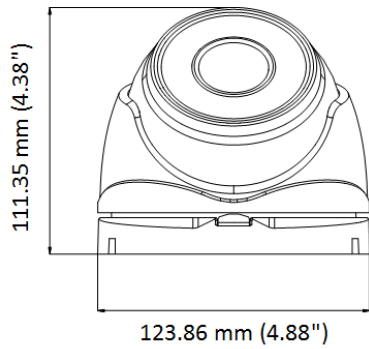
▪ Specification

Camera	
Image Sensor	2 MP CMOS
Max. Resolution	1920 (H) × 1080 (V)
Min. Illumination	Color: 0.005 Lux @ (F1.87, AGC ON), 0 Lux with IR
Shutter Time	PAL: 1/25 s to 1/50,000 s; NTSC: 1/30 s to 1/50,000 s
Day & Night	IR Cut Filter
Angle Adjustment	Pan: 0° to 360°, Tilt: 0° to 75°, Rotate: 0° to 360°
Signal System	PAL/NTSC
Slow Shutter	Max. 16 times
Lens	
Lens Type	2.8 mm to 12 mm motorized vari-focal lens
Focal Length & FOV	Horizontal FOV: 32.1° to 103°
Lens Mount	Φ14
Illuminator	
Supplement Light Type	IR
Supplement Light Range	Up to 60 m
Smart Supplement Light	Yes
Image	
Image Settings	Brightness, Mirror, Sharpness, AGC
Frame Rate	PAL: 1080p@25fps NTSC: 1080p@30fps
Day/Night Mode	Auto/Color/BW (Black and White)
Wide Dynamic Range (WDR)	≥120 dB
Image Enhancement	BLC
Privacy Mask	4 programmable privacy masks
Noise Reduction	3D DNR
White Balance	Auto/Manual
Interface	
Video Output	1 HD analog output
Event	
Motion Detection	4 programmable motion areas
General	
Power	12 VDC ±25%/PoC.at, Max. 8.2 W
Material	Metal
Dimension	134.3 mm × 123.9 mm × 111.4 mm (5.29" × 4.88" × 4.39")
Weight	Approx. 750 g (1.57 lb.)
Operating Condition	-40 °C to 60 °C (-40 °F to 140 °F), humidity 90% or less (non-condensing)
Communication	HIKVISION-C
Language	English
Approval	
Protection	IP67

▪ **Available Model**







DS-2CE56D8T-IT3ZE(2.7-13.5mm)

▪ **Dimension**



▪ **Accessory**

▪ **Optional**

DS-1273ZJ-130-TRL Wall mount	DS-1275ZJ-SUS Vertical pole mount	DS-1276ZJ-SUS Corner mount	DS-1280ZJ-M Junction box	DS-1281ZJ-M Inclined ceiling mount
				
<p data-bbox="148 1731 352 1798">DS-1280ZJ-TR12 Junction box</p> 				

Headquarters

No.555 Qianmo Road, Binjiang District,
Hangzhou 310051, China
T +86-571-8807-5998
www.hikvision.com



Follow us on social media to get the latest product and solution information.

